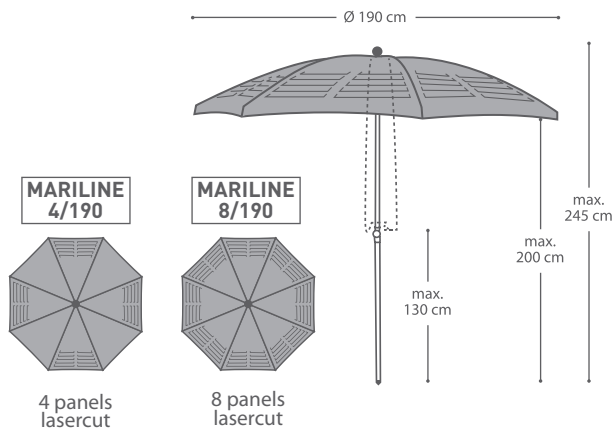


## MARILINE Ø 190 cm



**FABRIC** Symacryl 100% Acrylic 190g/m<sup>2</sup>

**FRAME** Upper pole Ø 27 mm  
Lower pole Ø 30 mm  
Brushed stainless steel tube inox 304  
Transparent coating natural colour  
8 black steel ribs  
metallized and coated  
Ø 4,5 mm

**SHADE AREA**  
±2,83 m<sup>2</sup>



3,5 kg



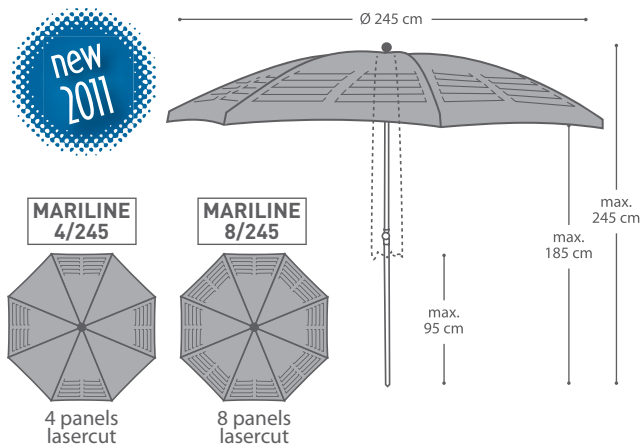
170 x 15 x 15 cm



**WIND RESISTANCE**

6 BFT  
49 km/h

## MARILINE Ø 245 cm



**FABRIC** Symacryl 100% Acrylic 190g/m<sup>2</sup>

**FRAME** Upper pole Ø 27 mm  
Lower pole Ø 30 mm  
Brushed stainless steel tube inox 304  
Transparent coating natural colour  
8 black steel ribs  
metallized and coated  
Ø 4,5 mm

**SHADE AREA**  
±4,71 m<sup>2</sup>



4,5 kg



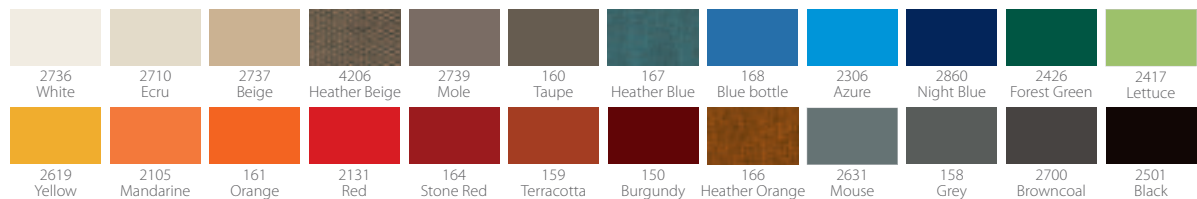
170 x 15 x 15 cm



**WIND RESISTANCE**

6 BFT  
49 km/h

## AVAILABLE COLOURS



Symacryl protects your skin: blocks 97% of UV rays

## BASES

- The 'MARILINE' fits in :  
- Sywawa parasol bases : COUPE, CUBE, RONDO, HEAVY and UNITED WE STAND  
- Symo parasol bases : LUNA

Always install the base on a horizontal and flat surface. This parasol also fits in any standard base for parasols up to Ø 2,45m that allows parasol poles of Ø 30mm. The standard base must have a minimum size of Ø 50cm or 45x45cm and a minimum weight of 20kg. Guarantee only with original Sywawa parts.

## ACCESSORIES

### QUASEO

Wireless LED lighting. Rechargeable: easy as a mobile phone

see page 72 & 80

### PROTECTIVE COVER

Coated nylon, black

see page 15

**MORE BASE POSSIBILITIES & ACCESSORIES see overview on page 82-83**