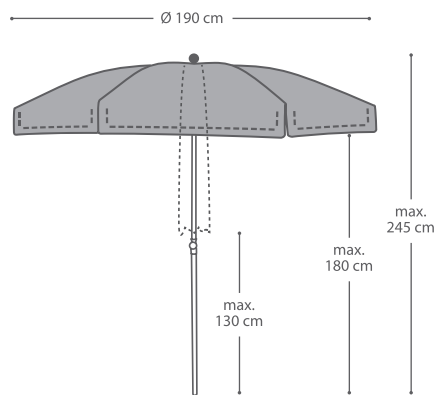


COUTURE Ø 190 cm



FABRIC Symacryl 100% Acrylic 190g/m²

FRAME Upper pole Ø 27 mm
Lower pole Ø 30 mm
Brushed stainless steel tube inox 304
Transparent coating natural colour
8 black steel ribs
metallized and coated
Ø 4,5 mm

SHADE AREA

±2,83 m²



3,5 kg



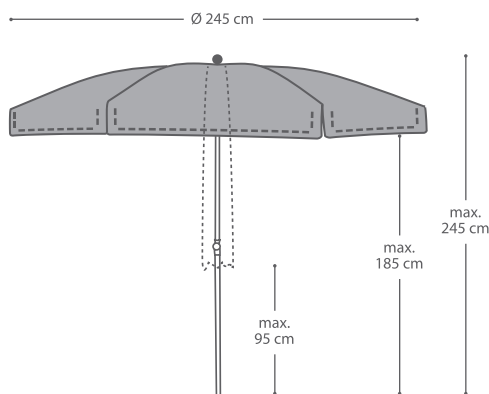
170 x 15 x 15 cm



WIND RESISTANCE

6 BFT
49 km/h

COUTURE Ø 245 cm



FABRIC Symacryl 100% Acrylic 190g/m²

FRAME Upper pole Ø 27 mm
Lower pole Ø 30 mm
Brushed stainless steel tube inox 304
Transparent coating natural colour
8 black steel ribs
metallized and coated
Ø 4,5 mm

SHADE AREA

±4,71 m²



5 kg



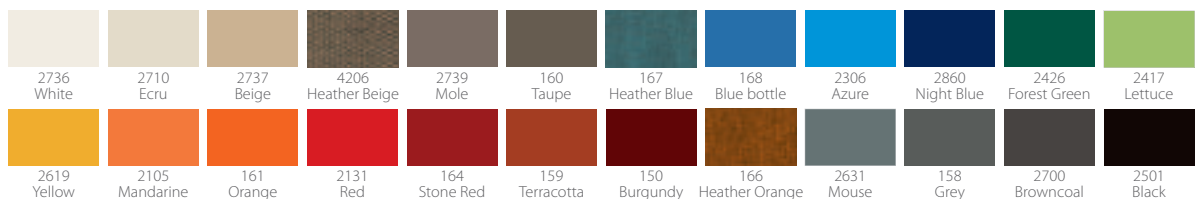
170 x 15 x 15 cm



WIND RESISTANCE

6 BFT
49 km/h

AVAILABLE COLOURS



Symacryl protects your skin: blocks 97% of UV rays

BASES

The 'COUTURE' fits in :

- Sywawa parasol bases : COUPE, CUBE, RONDO, HEAVY and UNITED WE STAND
- Symo parasol bases : LUNA

Always install the base on a horizontal and flat surface. This parasol also fits in any standard base for parasols up to Ø 2,45m that allows parasol poles of Ø 30mm. The standard base must have a minimum size of Ø 50cm or 45x45cm and a minimum weight of 20 kg. Guarantee only with original Sywawa parts.

ACCESSORIES

QUASEO

Wireless LED lighting. Rechargeable: easy as a mobile phone

see page 72 & 80

PROTECTIVE COVER

Coated nylon, black

see page 15

MORE BASE POSSIBILITIES & ACCESSORIES see overview on page 82-83